

MOUNTING INSTRUCTIONS

WARNING : THE FOLLOWING INSTRUCTIONS CONTAINS IMPORTANT SAFETY INFORMATION AND MUST BE FORWARDED TO THE BOAT OWNER.

1. C.614 CABLE INSTALLATION

Select a cable path as direct as possible with a minimum numbers of bends. Sharp and unnecessary bends in the cable can result in poor steering system performance and shortened cable life. The minimum bend radius is 8 inch.

2. HELM INSTALLATION ON THE DASH

DRILLING OF THE DASH:

Make n.3 holes dm. 0,355 inch and n.1 hole dm.2,64 inch.

ATTACHING THE MOUNTING BRACKET

Attach the helm aluminium plate n.3 to the dash using the n.3 M8X35 screws (5) ,the n.3 washers (4) and n.3 selflocking nut M8 (2).Max. torque : 52 in/lbs.

MOUNTING IN THE HELM ASSEMBLY (FIG.1)

The helm assembly (1) cab be attached in 3 different position (every 120°). The position selected should be determined by where the cable can be installed with a minimum of cables bends. Attach the helm assembly to the aluminium plate using the n.3 M8x25 screws (10) and n.3 washers (11) . Max torque : 52 in/lbs.

4. BEZEL INSTALLATION

Place the Bezel .
Fix the bezel to the dash using n.3 screws (6) .

6. CABLE CONNECTION TO THE HELM (FIG.2)

Note:
The cable must never undergo too sharp bends: the minimum radius should be 8 inch.

Determine the entrance position: insert the helical cable into the mouth of the steering helm and rotate the wheel to align the cable conduit with the hole B of the steering helm .
Attach the cable conduit with the screw (13) and nut (14) .

3. TEST THE STEERING SYSTEM

Rotate the wheel in clockwise and counter-clockwise direction and make sure that the system works correctly: agree with the directions on f

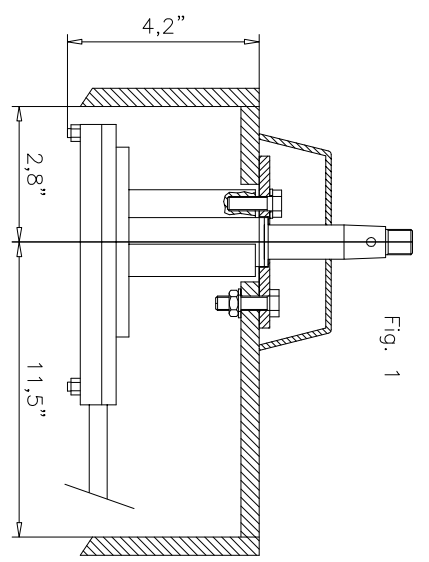


Fig. 1

N°	QT.	DESCRIPTION
01	01	HELM G08
02	03	NUT M8
03	01	ALUMINIUM PLATE
04	03	WASHER M8
05	03	SCREW M8X35
06	03	SCREW 3,5X1,3
07	01	WASHER Ø16
08	01	NUT M16
09	01	BEZEL
10	03	SCREW M8x25
11	03	WASHER Ø8
12	01	PIN FOR S. WHEEL
13	01	SCREW TCCE M6x35
14	01	NUT M6

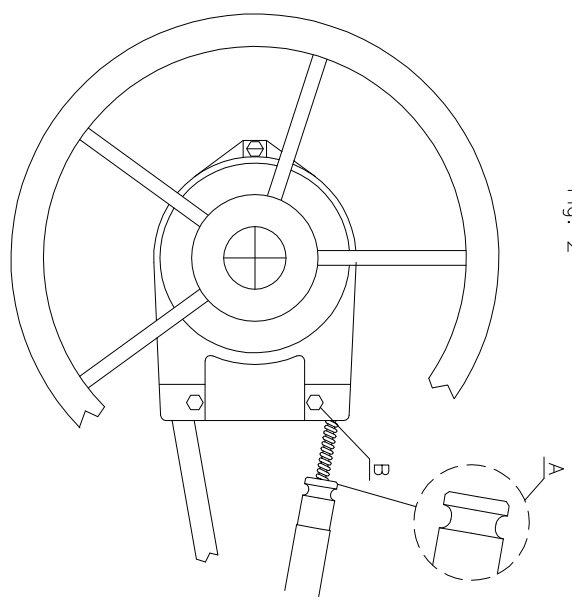


Fig. 2

Ind.	Modifiche		Data	Firma	Descrizione:
					INSTALLATION
Scala	F.S.		N° pezzi	G08	
Nome	Date		Gruppo		
Disegnato	2008		VManchini	Disegno INSTALLATION	
Approvato	2008		VManchini	Disegno di proprietà MCVI-MQRE non riproducibile ne divulgabile senza autorizzazione	
			Materiale:		/
			Trattamento		/
mavi - mare					